
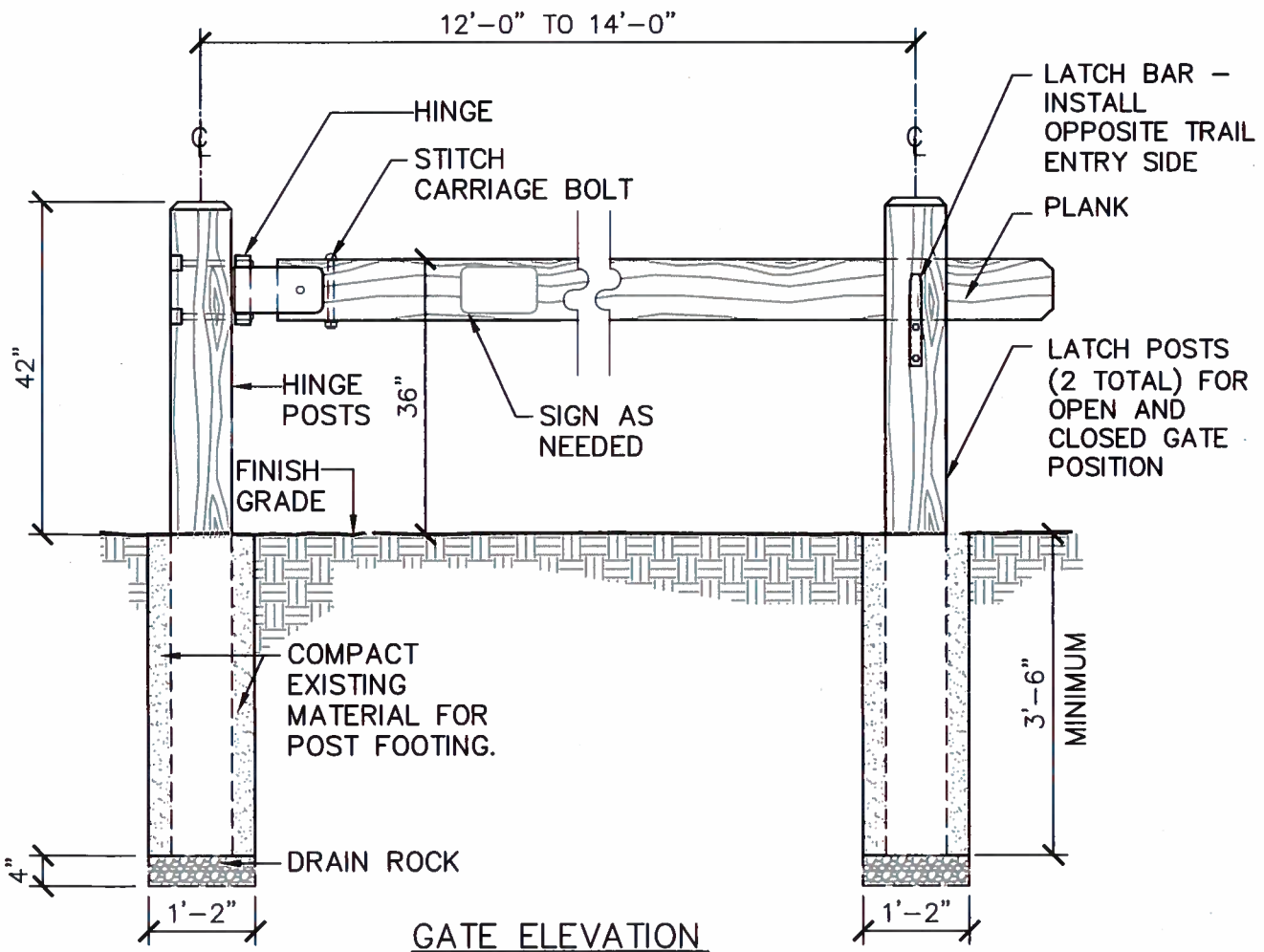


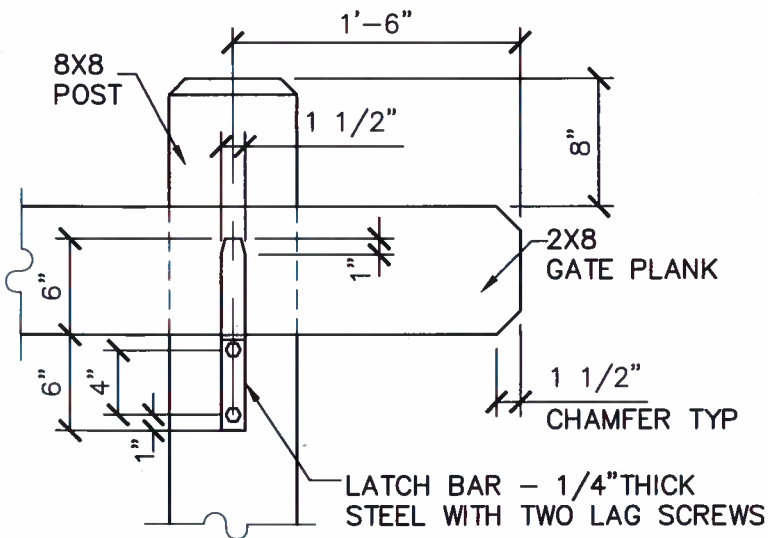
NOTES

1. LOCATE UNDERGROUND UTILITIES PRIOR TO DIGGING. CALL USA (UNDERGROUND SERVICE ALERT) 1-800-277-2600, MON THRU FRI 6AM TO 7PM, A MINIMUM 2 WORKING DAYS WITH A MAXIMUM 14 CALENDAR DAYS, TO OBTAIN A TICKET. CONTACT THE DISTRICT INSPECTOR OR PARK SUPERVISOR FOR DISTRICT UTILITIES NOT LOCATED BY USA.
2. POSTS SHALL BE 8X8 PRESSURE TREATED ROUGH DOUGLAS FIR #1 FREE OF HEART CENTER. PRESSURE TREATMENT SHALL BE AWPB CA-B 0.21 PCF OR ACQ 0.40 PCF MINIMUM.
3. GATE PLANK SHALL BE 2X8 NON-PRESSURE TREATED DOUGLAS FIR, #1 OR BETTER.
4. GATE HARDWARE, INCLUDING HINGE, LATCHES AND FASTENERS, MAY BE STOCKED BY CENTRAL STORES FOR PURCHASE BY DISTRICT STAFF; OTHERWISE FABRICATE HARDWARE AS SHOWN.
5. EACH POST LOCATION, INCLUDING OPEN GATE LATCH POSTS, TO BE REVIEWED AND APPROVED IN THE FIELD BY THE DISTRICT REPRESENTATIVE PRIOR TO INSTALLATION.
6. INSTALL GATE WITH PLANK LEVEL.
7. SET POSTS PLUMB AND BACKFILL WITH NATIVE MATERIAL. REMOVE ALL ROCKS AND CLODS GREATER THAN 1 1/2" THEN COMPACT IN 6" LIFTS.
8. STAIN PLANK AND POSTS "EBRPD BROWN" PER SPECIFICATIONS.

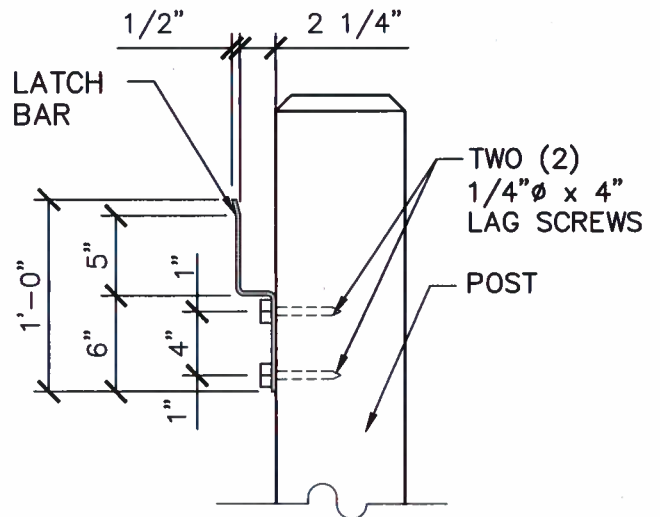
	PLANK GATE					STD PLAN
	DRAWN	ZT	KEY	REVISIONS	DATE	APPROVED
	CHECKED	GG	△	ORIGINAL ISSUE	06-15-17	<i>Glenn D. Gilchrist</i>
	OPERATIONS	DC				GLENN GILCHRIST, PE, DESIGN MANAGER, ASD DIV. DATE <i>6/19/2017</i>
EAST BAY REGIONAL PARK DISTRICT – STANDARD PLANS						308 SHEET 1 OF 3 NOT TO SCALE



GATE ELEVATION



LATCH POST FRONT ELEVATION



LATCH POST SIDE ELEVATION

SEE NOTES ON SHEET 1



PLANK GATE

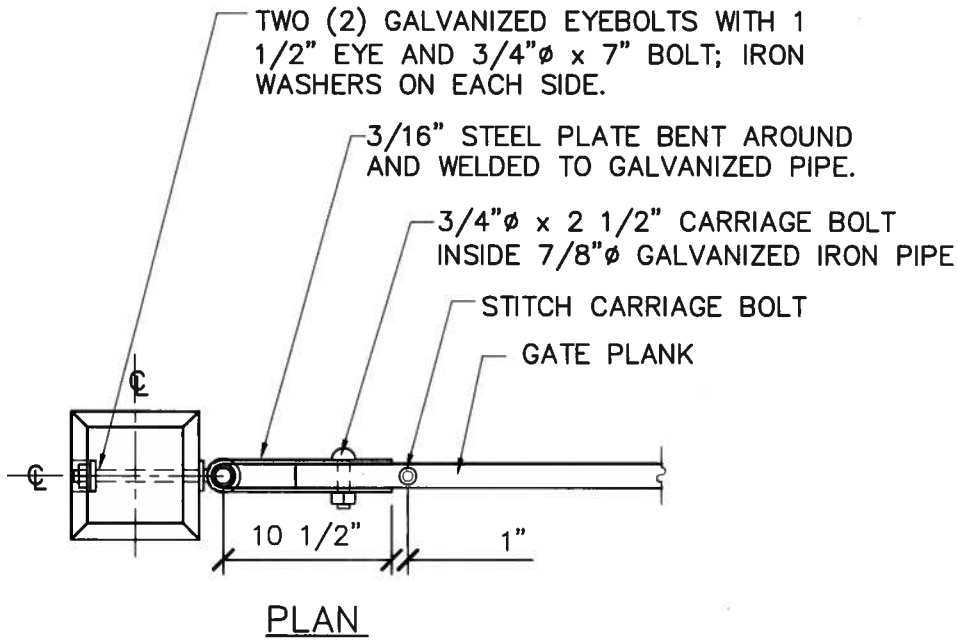
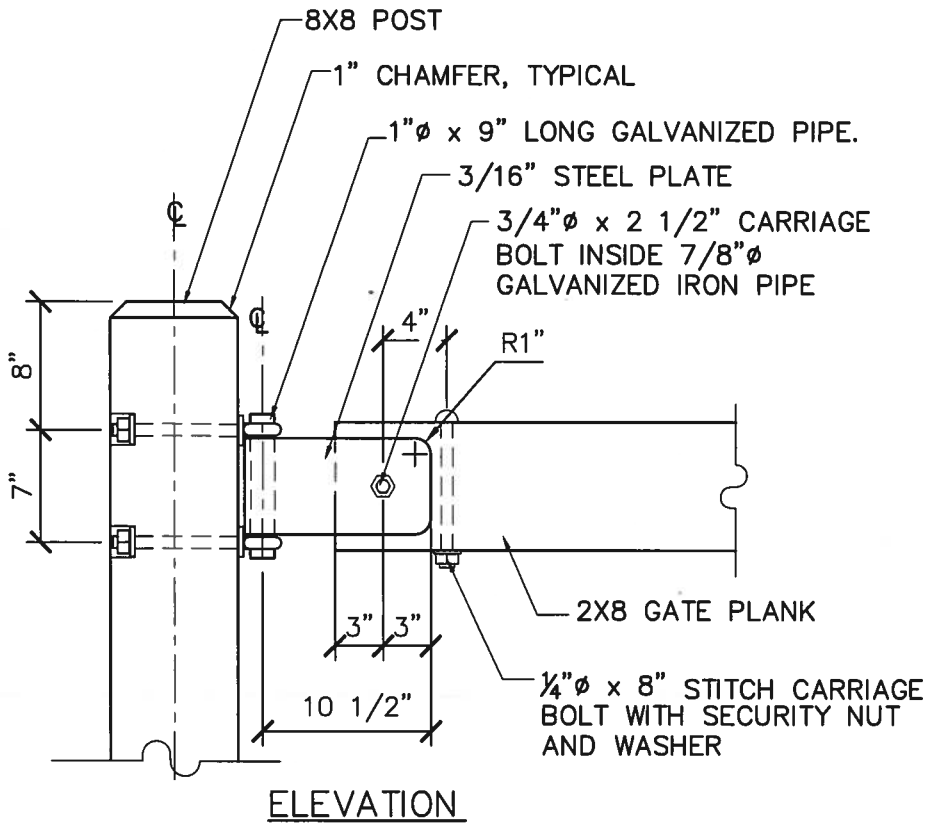
DRAWN	ZT	KEY	REVISIONS	DATE
CHECKED	GG		ORIGINAL ISSUE	06-15-17
OPERATIONS	DC			

APPROVED *Glenn Gilchrist*
 GLENN GILCHRIST, PE, DESIGN MANAGER, ASD DIV.
 DATE 6/9/2017

STD PLAN

308

SHEET 2 OF 3
 NOT TO SCALE



HINGE DETAIL

SEE NOTES ON SHEET 1



PLANK GATE

DRAWN	ZT	KEY	REVISIONS	DATE
CHECKED	GG	\triangle	ORIGINAL ISSUE	06-15-17
OPERATIONS	DC			

APPROVED *Glenn Gilchrist*
 GLENN GILCHRIST, PE, DESIGN MANAGER, ASD DIV.
 DATE 6/9/2017

STD PLAN
308
 SHEET 3 OF 3
 NOT TO SCALE