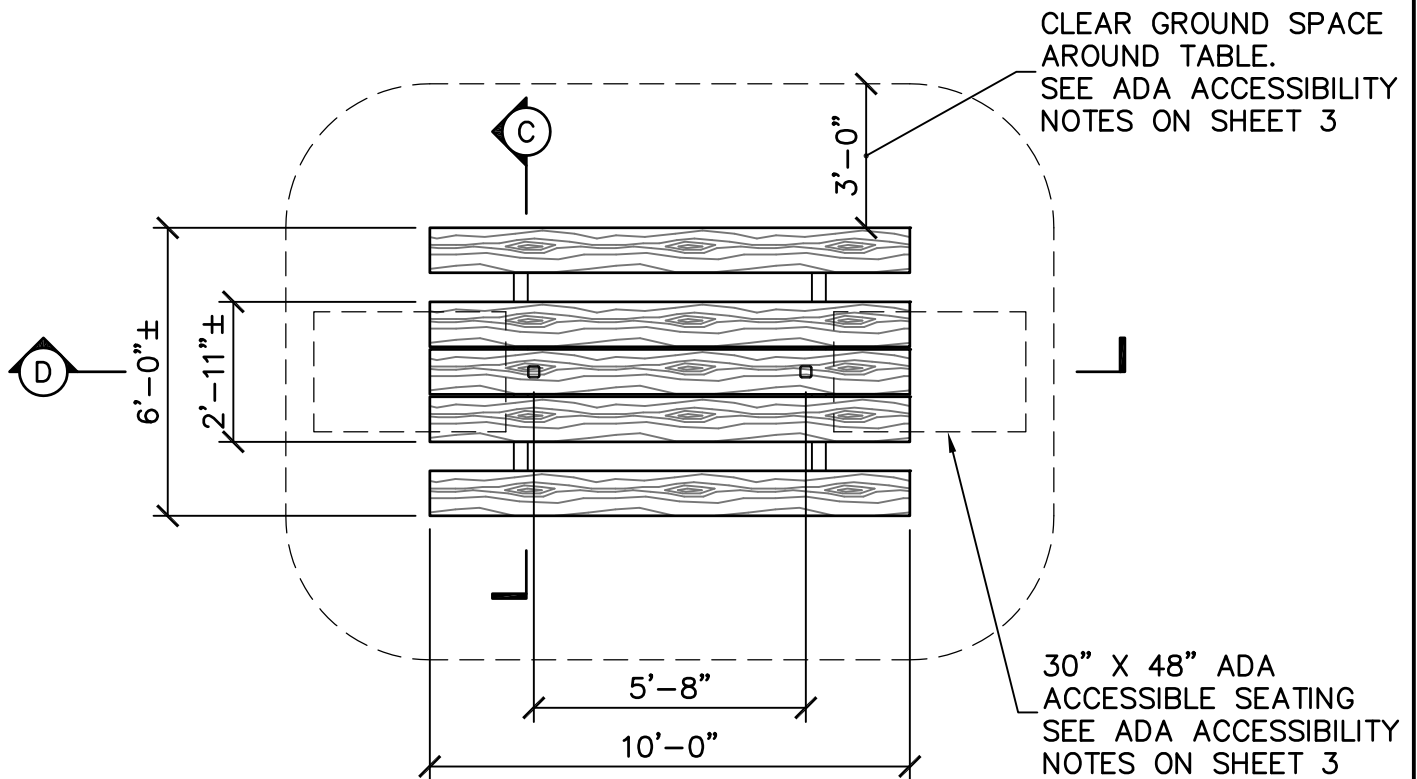


(B) ELEVATION



(A) PLAN VIEW

SEE NOTES ON SHEET 3



**WOOD PICNIC TABLE - PLAN AND ELEVATION**

REVIEWED BY THE PARK STANDARDS COMMITTEE, AND APPROVED BY THE CHIEF OF DESIGN & CONSTRUCTION

*L. Gajjar*

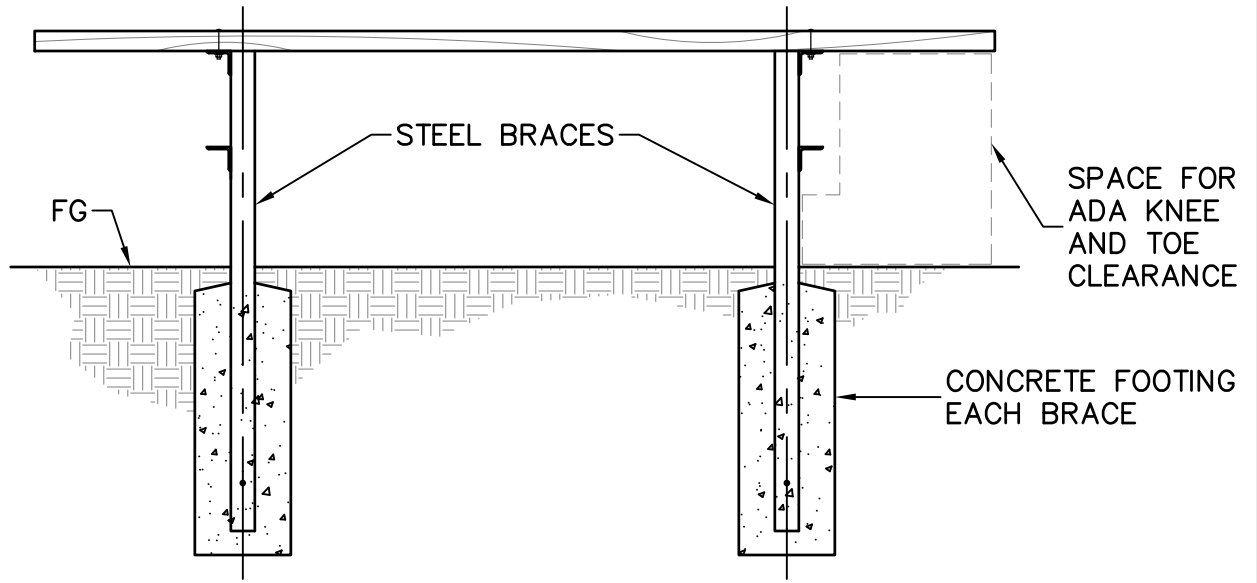
8/3/2020

**EAST BAY REGIONAL PARK DISTRICT - STANDARD PLANS**

STD PLAN

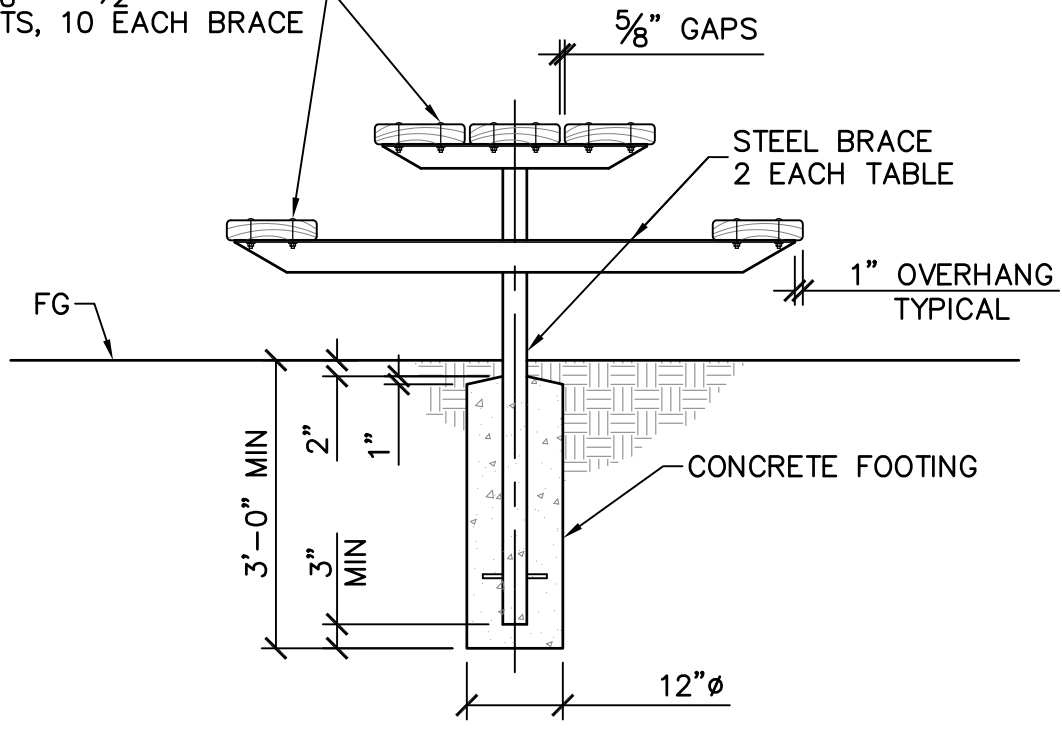
**504**

SHEET 1 OF 3  
NOT TO SCALE



(D) SECTION

DRILL THROUGH WOOD PLANKS FOR  $\frac{3}{8}$ " X  $3\frac{1}{2}$ " CARRIAGE BOLTS, 10 EACH BRACE



(C) SECTION

SEE NOTES ON SHEET 3



**WOOD PICNIC TABLE - SECTIONS**

REVIEWED BY THE PARK STANDARDS COMMITTEE, AND APPROVED BY THE CHIEF OF DESIGN & CONSTRUCTION

*L. Gajjar*

8/3/2020

**EAST BAY REGIONAL PARK DISTRICT - STANDARD PLANS**

STD PLAN

**504**

SHEET 2 OF 3  
NOT TO SCALE

ADA ACCESSIBILITY

1. IF THERE ARE 2 OR MORE PICNIC TABLES AT A SITE, AT LEAST 20%, BUT NEVER LESS THAN 2, SHALL BE ACCESSIBLE TABLES.
2. THE CLEAR GROUND SPACE AND ACCESSIBLE SEATING AREA DIMENSIONS SHOWN ON SHEET 1 ARE THE MINIMUMS REQUIRED AT ADA ACCESSIBLE TABLE LOCATIONS AND RECOMMENDED FOR ALL OTHER TABLE LOCATIONS.
3. ACCESSIBLE SEATING AREA MAY BE LOCATED AT ONE OR BOTH ENDS OF THE TABLE.
4. THE CLEAR GROUND SPACE AND ACCESSIBLE APPROACH SHALL NOT OVERLAP PATHS OF TRAVEL, OUTDOOR RECREATION ROUTES, TRAILS, OR ANY OTHER REQUIRED CLEAR GROUND SPACE.
5. THE CLEAR GROUND SPACE, ACCESSIBLE SEATING AREA, AND ACCESSIBLE APPROACH SHALL BE FIRM AND STABLE. RECOMMENDED AC OR CONCRETE PAVED SURFACES SHALL SLOPE A MAXIMUM OF 2% MEASURED IN ANY DIRECTION. WHERE THE SURFACE IS NOT PAVED, THE SLOPE MAY BE INCREASED TO A MAXIMUM OF 5% ONLY AS REQUIRED TO PROVIDE ADEQUATE DRAINAGE.

MATERIALS

6. WOOD PLANKS SHALL BE 3X12, S4S EE (2½" X 11¼" DIMENSIONS WITH EASED EDGES).
7. WOOD PLANKS SHALL BE SEASONED DRY WITH A MAXIMUM MOISTURE CONTENT OF 19%, WESTERN RED CEDAR NO. 2 CLEAR OR BETTER, OR FSC CERTIFIED REDWOOD CONSTRUCTION HEART OR BETTER.
8. FASTENERS SHALL BE HOT-DIP GALVANIZED PER ASTM A153.
9. CONCRETE SHALL BE COMMERCIAL 5-SACK PRE-MIX CONCRETE OR EQUIVALENT.
10. SEE STANDARD PLAN 504F FOR FABRICATION OF STEEL BRACES.
11. WOOD PLANKS, FASTENERS AND TABLE BRACES, MAY BE AVAILABLE AT PARK DISTRICT CENTRAL STORES, FOR PURCHASE BY PARK DISTRICT STAFF ONLY.

WORKMANSHIP

12. LOCATE UNDERGROUND UTILITIES PRIOR TO DIGGING. CALL USA (UNDERGROUND SERVICE ALERT) 1-800-277-2600, MON THRU FRI 6AM TO 7PM, A MINIMUM 2 WORKING DAYS WITH A MAXIMUM 14 CALENDAR DAYS, TO OBTAIN A TICKET. CONTACT THE DISTRICT INSPECTOR OR PARK SUPERVISOR FOR DISTRICT UTILITIES NOT LOCATED BY USA.
13. WOOD PLANKS SHALL NOT BE COATED (DO NOT SEAL, PAINT, OR STAIN).
14. ENDS OF WOOD PLANKS SHALL BE EASED ¼"R ALL AROUND.
15. PROJECTING BOLT ENDS SHALL BE CUT FLUSH WITH PLANKS AFTER TIGHTENING. ANY SHARP EDGES OR SHARP POINTS SHALL BE MADE DULL.
16. INSTALL WASHERS UNDER NUTS AND BOLT HEADS IN CONTACT WITH STEEL MEMBERS.
17. TABLE BRACES SHALL BE INSTALLED PLUMB AT CENTER OF CONCRETE FOOTING.
18. ANY DAMAGE TO PAINTED METAL FINISH SHALL BE TOUCHED-UP WITH PRIMER AND PAINT PER DISTRICT STANDARD PLAN 003, PAINTING AND STAINING SPECIFICATION.



**WOOD PICNIC TABLE - NOTES**

REVIEWED BY THE PARK STANDARDS COMMITTEE, AND APPROVED BY THE CHIEF OF DESIGN & CONSTRUCTION

8/3/2020

**EAST BAY REGIONAL PARK DISTRICT - STANDARD PLANS**

STD PLAN

**504**

SHEET **3** OF **3**  
NOT TO SCALE